



Voltage Range: 12/24V

Warranty: 5 years

Ingress Protection: IP67

Approval: ECE & EMC ✓

- Modern rear lamp design
- Low-profile – only 22mm depth
- Tough acrylic lens
- Signature diamond pattern lens

- Shock, water & dust proof
- Harness system compatible
- 2-pin accessory connection – compatible with ‘plug & play’ number plate lamps, see p.068–069



STOP / TAIL / INDICATOR / FOG / REVERSE / TRIANGLE REFLECTOR

EU 195LR2 Twin Pack

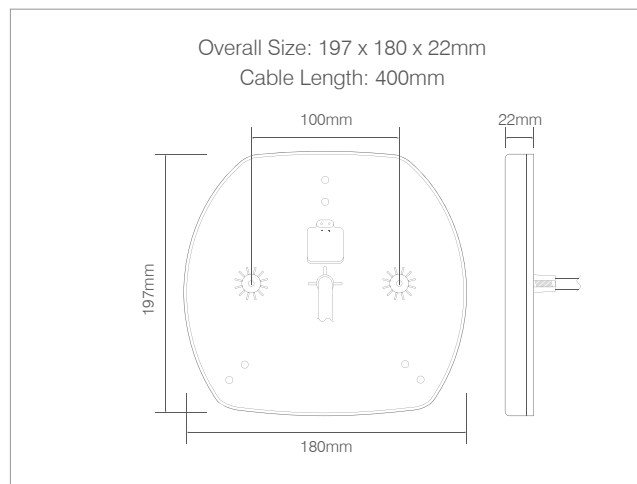
EU 195L Left

EU 195R Right

Current Draw (13.8V / 28V):

Stop: 0.24A / 0.15A, Tail: 0.04A / 0.03A, Indicator: 0.17A / 0.09A, Fog: 0.17A / 0.09A, Reverse: 0.02A / 0.12A

PLUG & PLAY ACCESSORY CONNECTION



INTEGRATED TRIANGLE REFLECTOR

